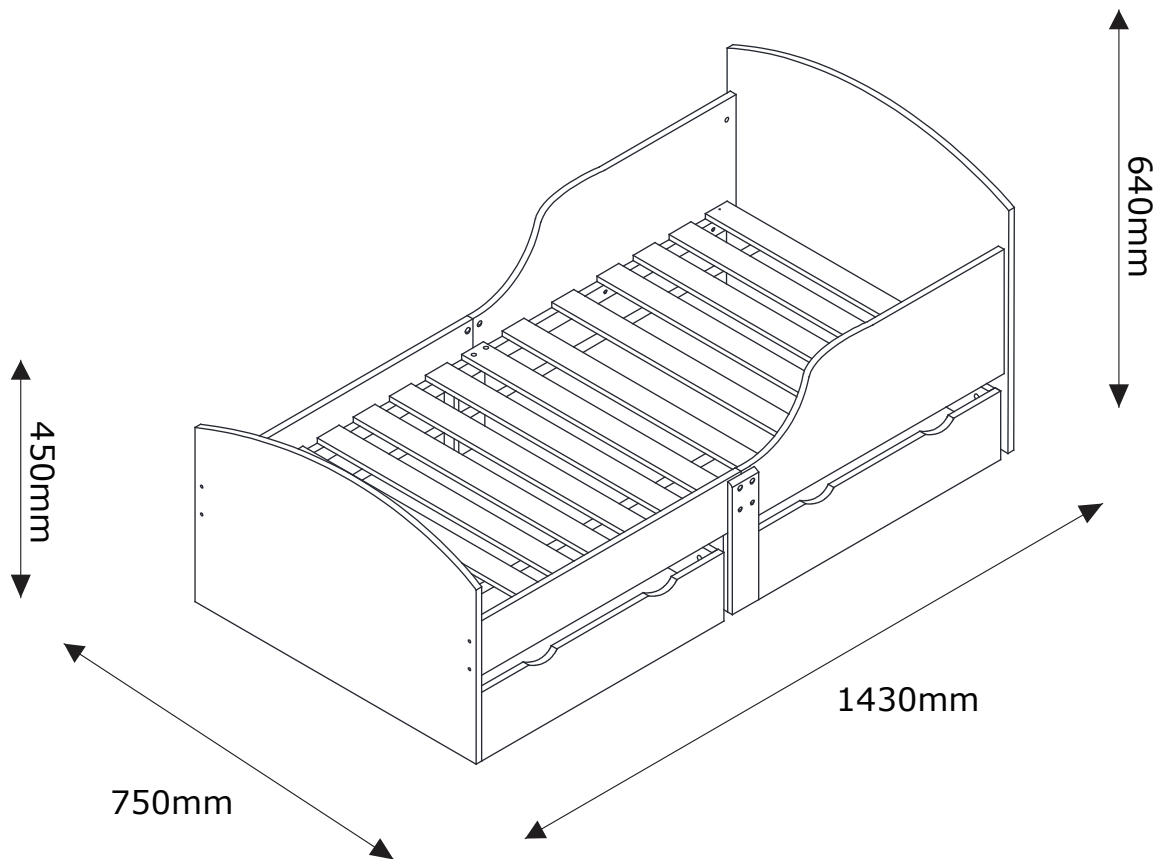


Assembly Instructions

Regular Bed
520864 / 520869



IMPORTANT!

READ CAREFULLY AND KEEP FOR FUTURE REFERENCE

Assembly to be carried out by a competent adult only.

During assembly children should be kept away from the product due to the possible risk of injury.

Assemble the furniture on a soft level surface to avoid damaging the product or your floor.

We recommend furniture be assembled near where they will be placed, to avoid moving the product unnecessarily once assembled.

If there is a need to move the furniture, please remove all loose items and have extra hands to help lift the furniture to the desired location. Dragging the furniture will damage both the furniture and the floor.

Ensure that fingers and legs are clear of all adjustments when adjusting this product.

Regularly check and re-tighten (if necessary) all bolts on furniture that you have assembled yourself.

This product is suitable for children in the age range 5-12 years.

Maximum weight allowed on product: 60kg.

Tools Required



Care and Maintenance of your Furniture

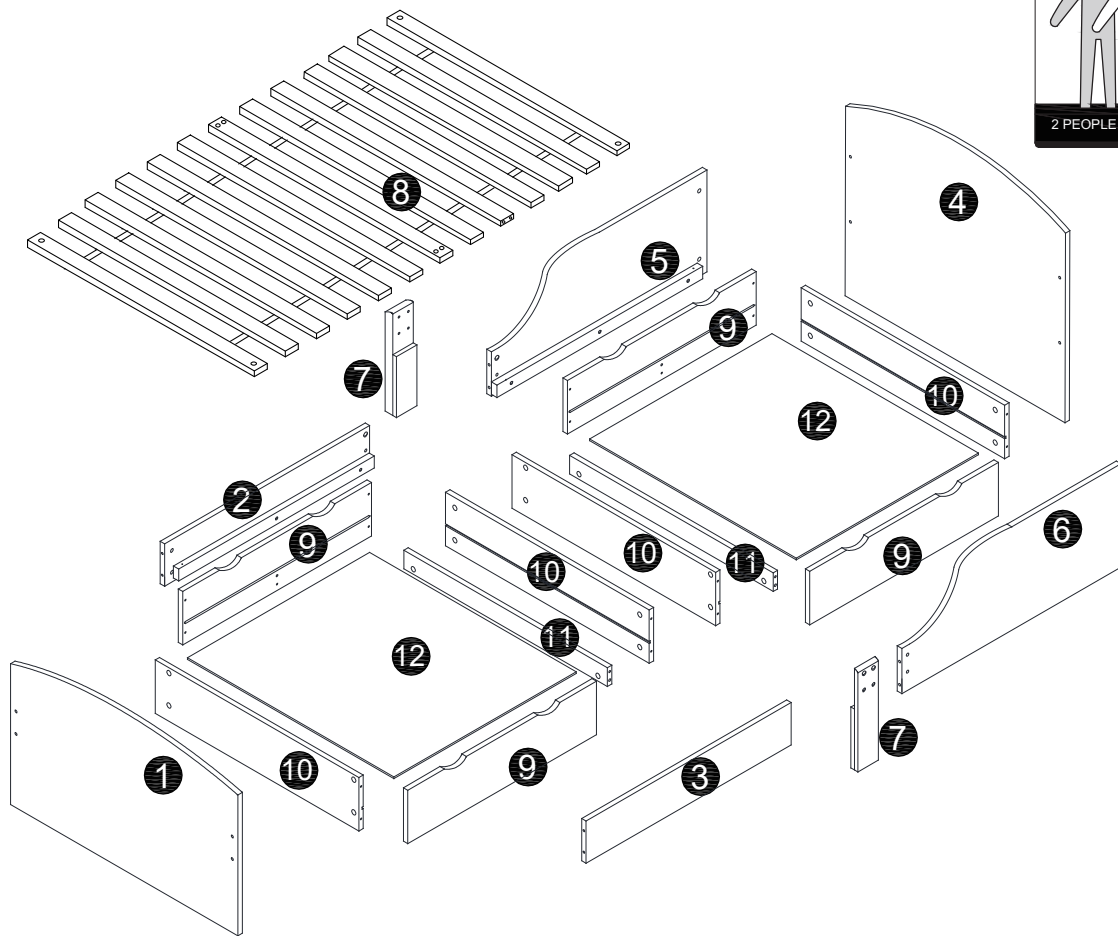
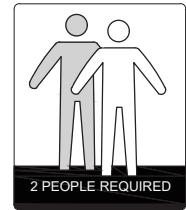
THIS PRODUCT IS FINISHED WITH A CLEAR UV LACQUER.

Avoid placing hot items directly onto the surface unless using a thick insulation material such as placemats or coasters. Heat may lead to discolouration or other damage to the surface of the product.



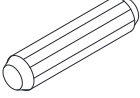
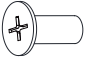


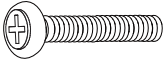


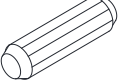

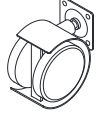
Use a soft cloth that has been dampened in water to clean the surface of this product. Do not use abrasive cleaners, furniture wax or polish on the surface of this product, as it may damage the surface.

CAUTION: FREQUENT EXPOSURE TO DIRECT SUNLIGHT OR SIMILAR SOURCES MAY CAUSE THE SURFACE TO DISCOLOUR OR FADE.

PARTS LIST



HARDWARE LIST

<p>A x 8</p>  <p>M6 x 45 mm</p>	<p>B x 12</p>  <p>M10 x 10 mm</p>	<p>C x 4</p>  <p>M6 x 40 mm</p>	<p>D x 4</p>  <p>M6 x 10 mm</p>
<p>E x 4</p>  <p>M6 x 18 mm</p>	<p>F x 4</p>  <p>M5 x 35 mm</p>	<p>G x 4</p>  <p>M6 x 55 mm</p>	<p>H x 20</p>  <p>M6 x 38 mm</p>
<p>I x 20</p>  <p>M15 x 12 mm</p>	<p>J x 4</p>  <p>M6 x 25 mm</p>	<p>K x 32</p>  <p>M4 x 10 mm</p>	<p>L x 8</p>  <p>35 x 35 mm</p>

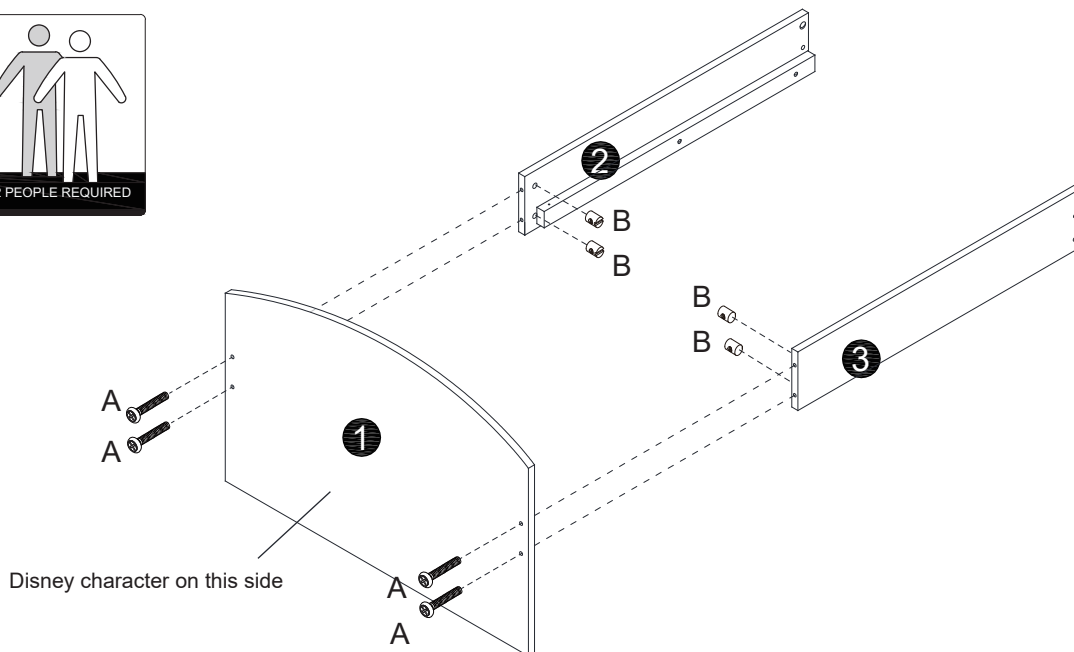
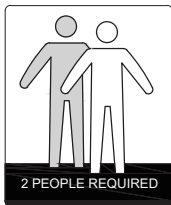
1



A x 4



B x 4



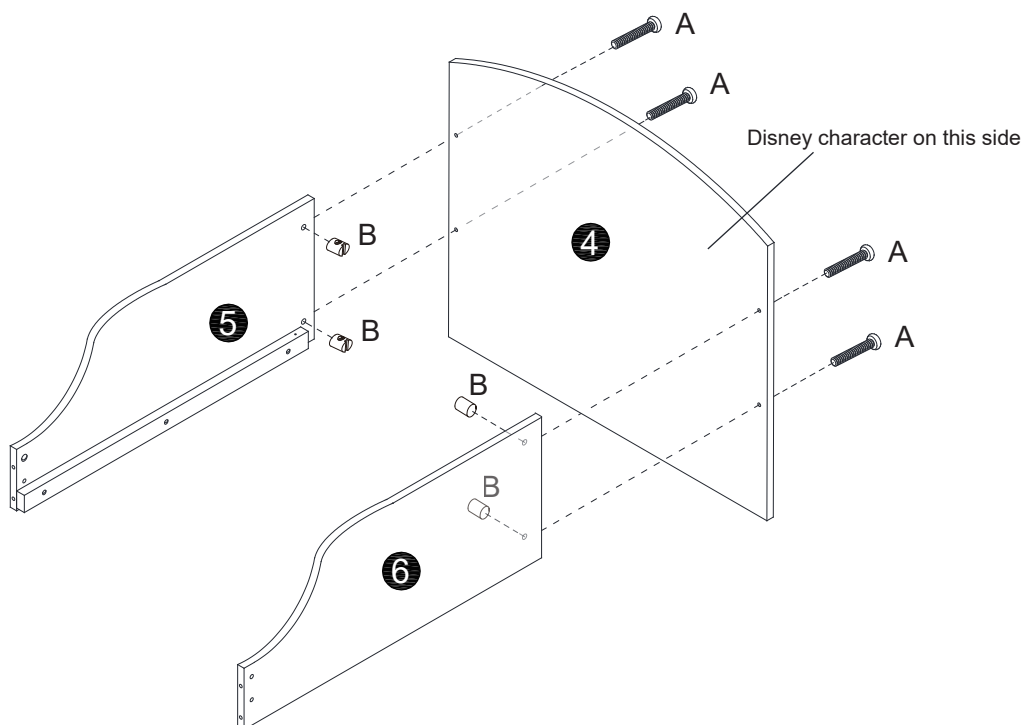
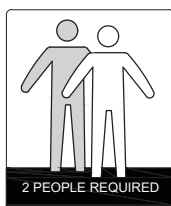
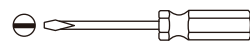
2



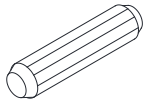
A x 4



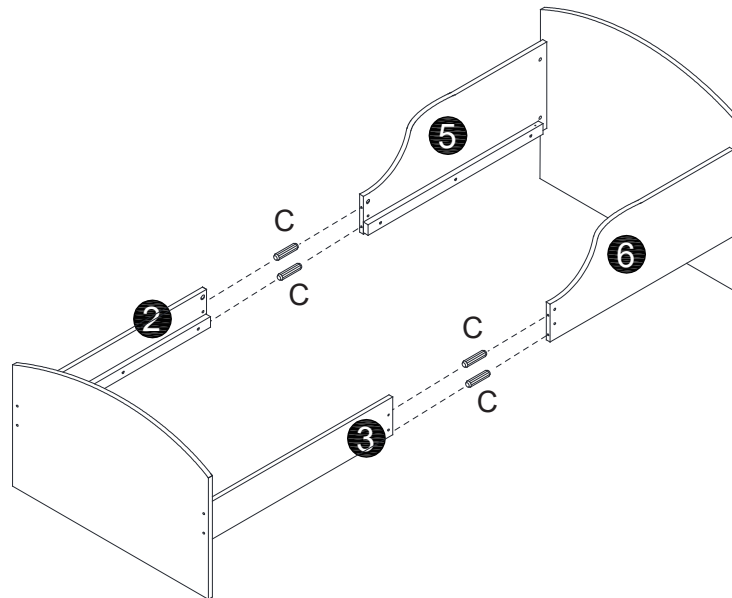
B x 4



3



C x 4



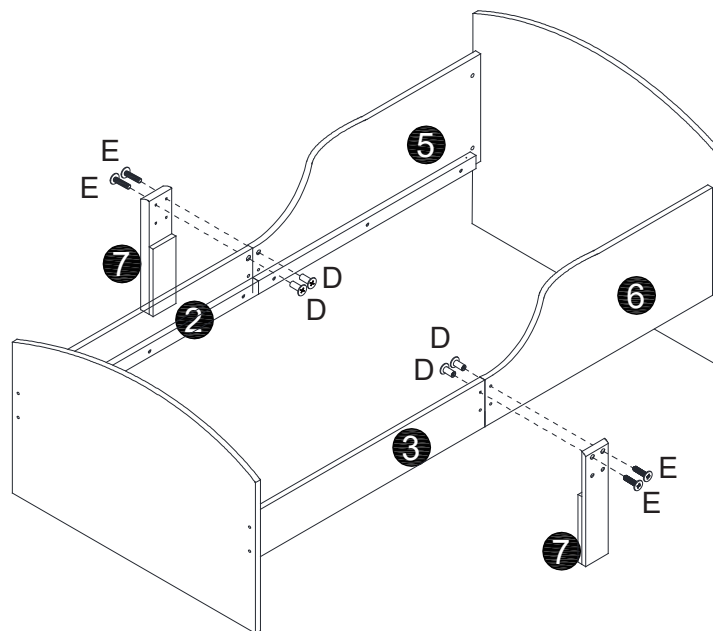
4



D x 4



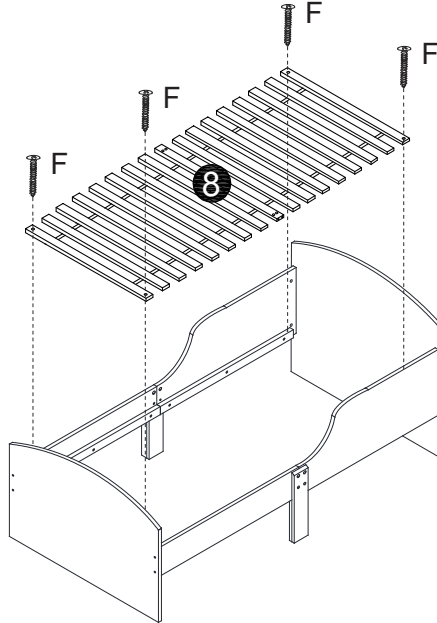
E x 4



5



F x 4



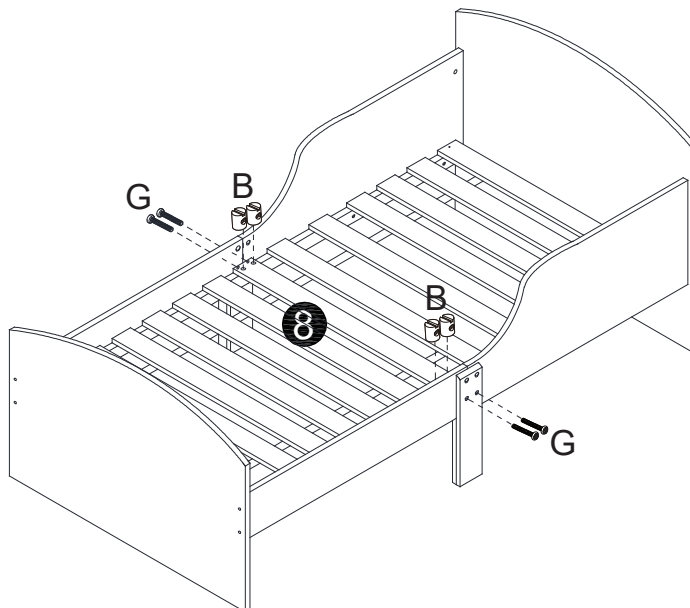
6



B x 4



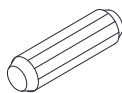
G x 4



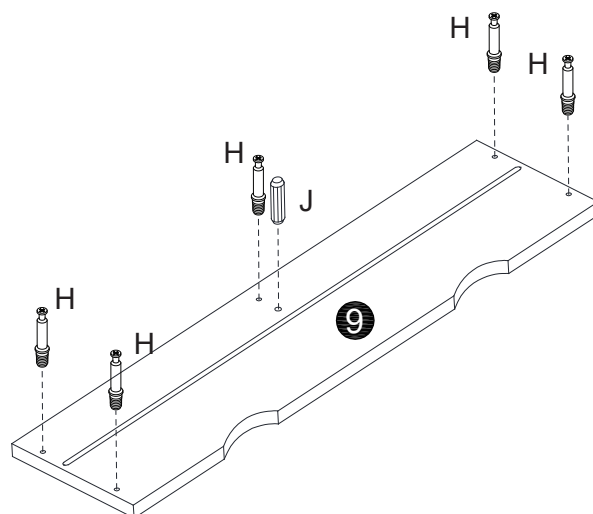
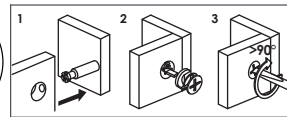
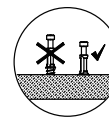
7



H x 20



J x 4

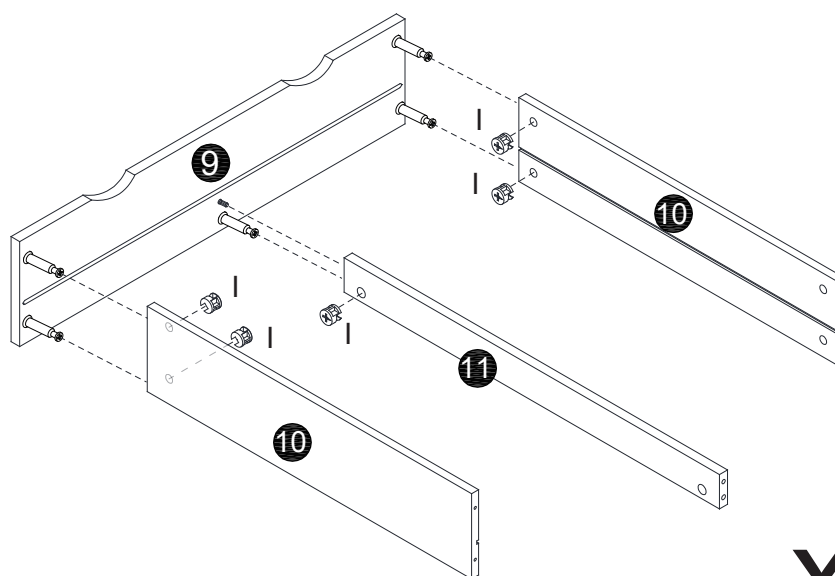


x4

8

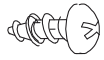


I x 10



x2

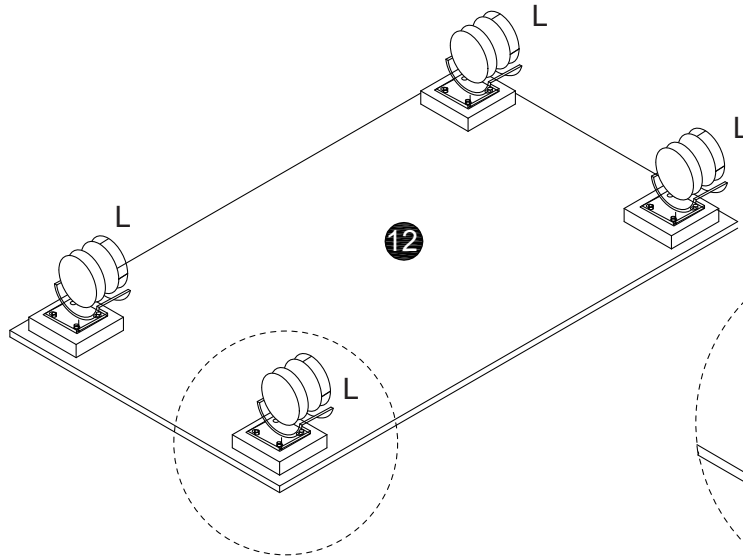
9



K x 32

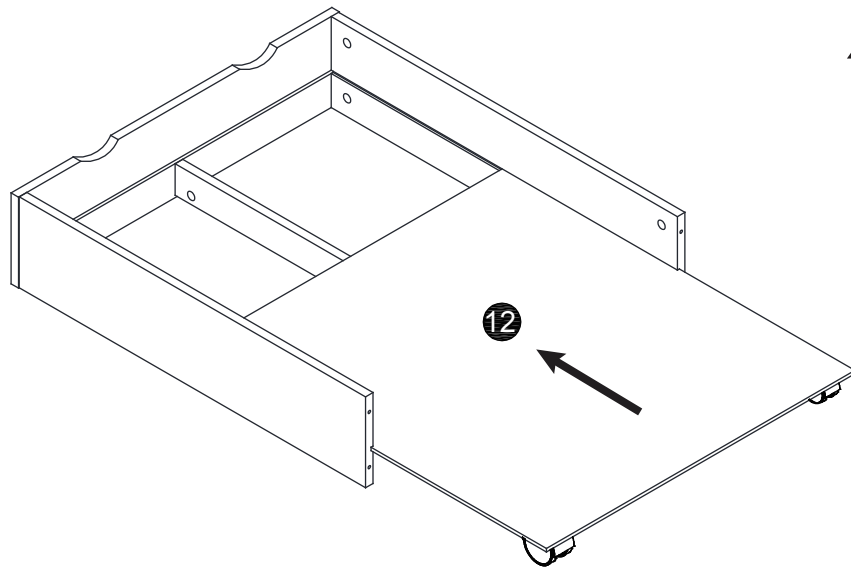


L x 8



x2

10



x2

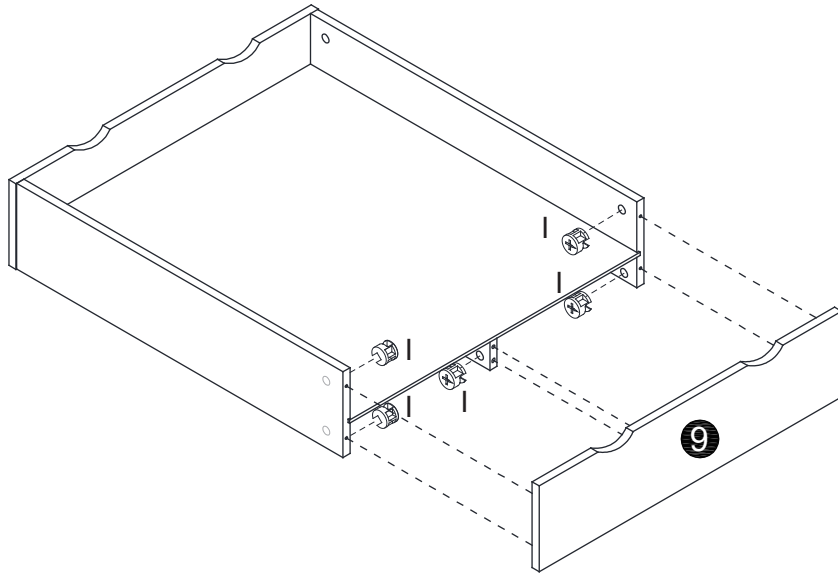
11



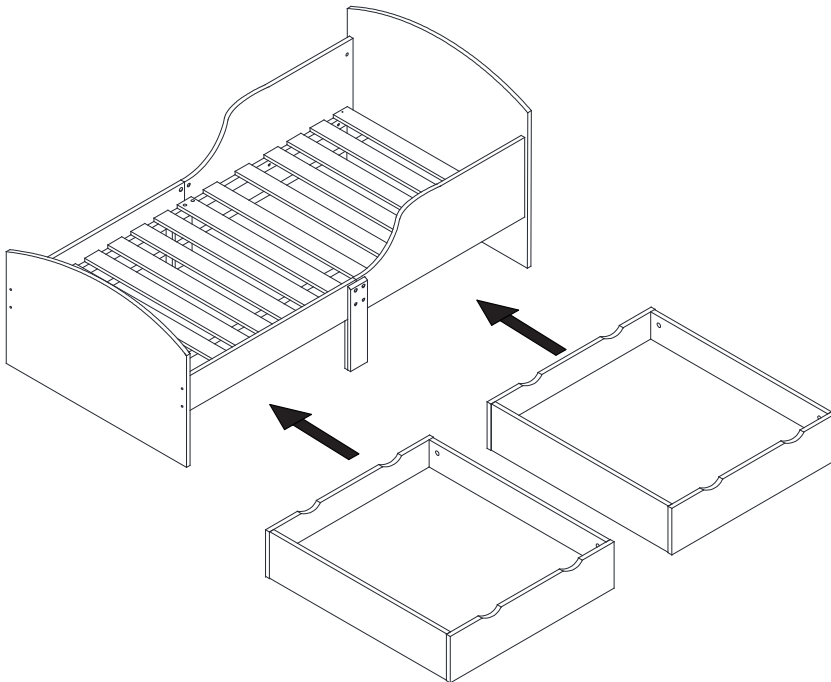
1 x 10



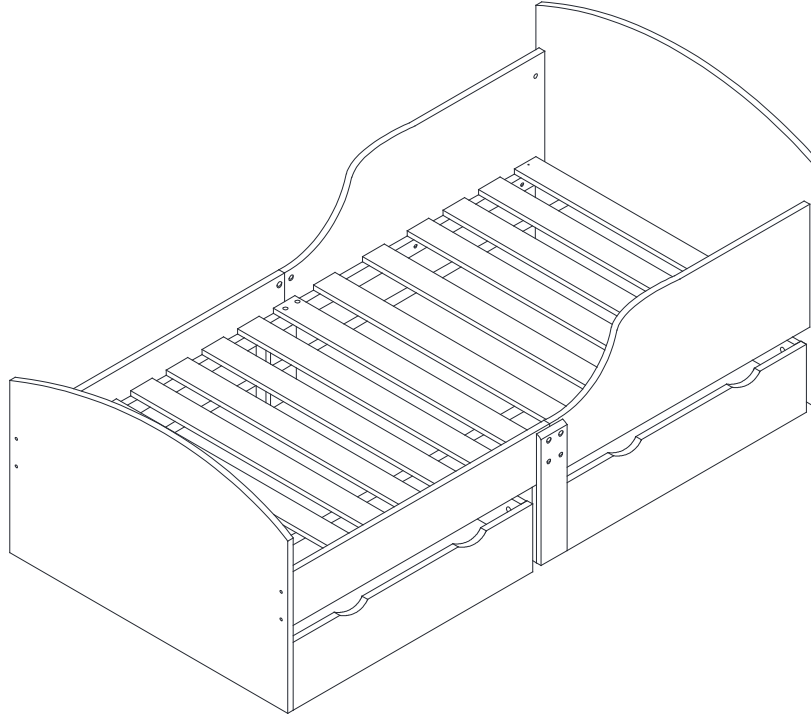
x2



12



13



WARNING!

Do NOT place this child's bed near heat sources, windows and other furniture.

Do NOT use the child's bed if any part is broken, torn or missing and use only spare parts approved by the manufacturer.

Use mattress which is 140cm long and 70cm wide on the bed.

The child's bed conforms to BS8509:2008 + A1: 2011.

The bed is designed to be dismantled for storage and transportation.